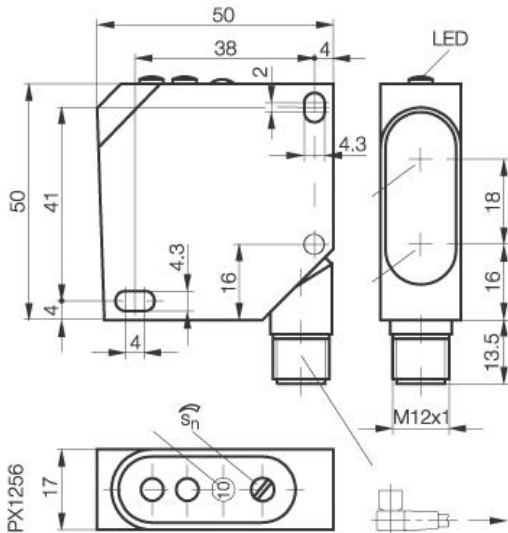


Photoelectric Sensor
BOS 26K-PA-1LHB-S 4-C
Sn=150mm
Diffuse, Background suppression



Common Data

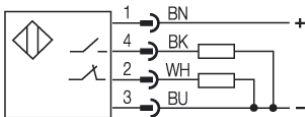
Series	26K
Sensortype	Diffuse, Background suppression
Switching frequency	2500 Hz
Rated operating distance Sn in mm	150
asured operating distance Sa	adjustable
Repeat accuracy	< 5% from Sn
Hysteresis	< 5%
Indication Supply Voltage	yes, green LED
Indication Switching element on	yes, yellow LED
Indication Special funktion	Contamination indicator, red LED
Ambient temperature	0...+45°C
On-delay	<0,2ms
Off-delay	<0,2ms
Light	Laser, red
Wavelength / Laser protection class	660nm, Protection class 2
Sensitivity Adjustment	2 turn Poti
Blind zone / min Reflector distance	30mm/-
Special funktion	Background suppression
Permissable ambient light	5000 Lux
Output funktion	light-on or dark-on

Mechanical Data

Measurements	50x50x17
Shock	Halfsinus, 30gn, 11ms
Vibration	10...55Hz, 1,5mm Amplitude 3x2h
Housing material	ABS UL 94 V-O
Material of sensing face	PMMA
Degree of protection	IP67
Connection	Connector S4 (M12)
Connection turnable	Connector 90° turnable
Weigth	35g

Electrical Data

Current	DC
Switching funktion	NO/NC
Output	PNP
Rated operational voltage Ue	24V DC
Rated operational current Ie	200mA
Supply Voltage	10...30V DC
Ripple	< 10% from UB
Frequency of Supply Voltage	DC
No-load supply current	<50mA
Voltage drop	<2,4V
Short protection	yes
Protected against polarity reversal	yes
Rated insulation voltage	250V AC
max. Load capacity	0,33µF



Utilization categories
 Insulation class

Datasheet number:

Definitions see general catalog.
 If not otherwise noted, ratings according to
 IEC 60947-5-2 (DIN EN60947-5-2)

Balluff GmbH
 Schurwaldstrasse 9
 73765 Neuhausen a.d.F.
 Phone (07158) 173-0 Fax (07158) 5010

Datenblatt by CD-ROM - 04/2007

BALLUFF
 sensors worldwide